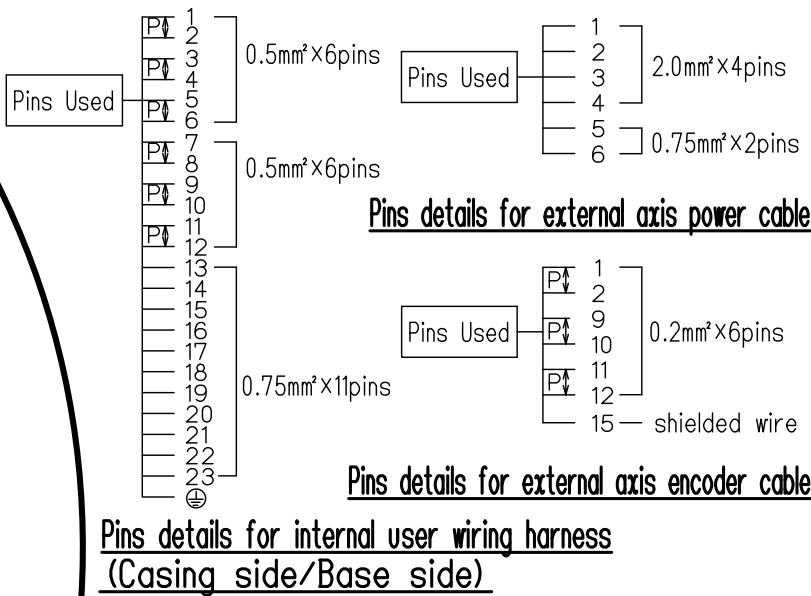
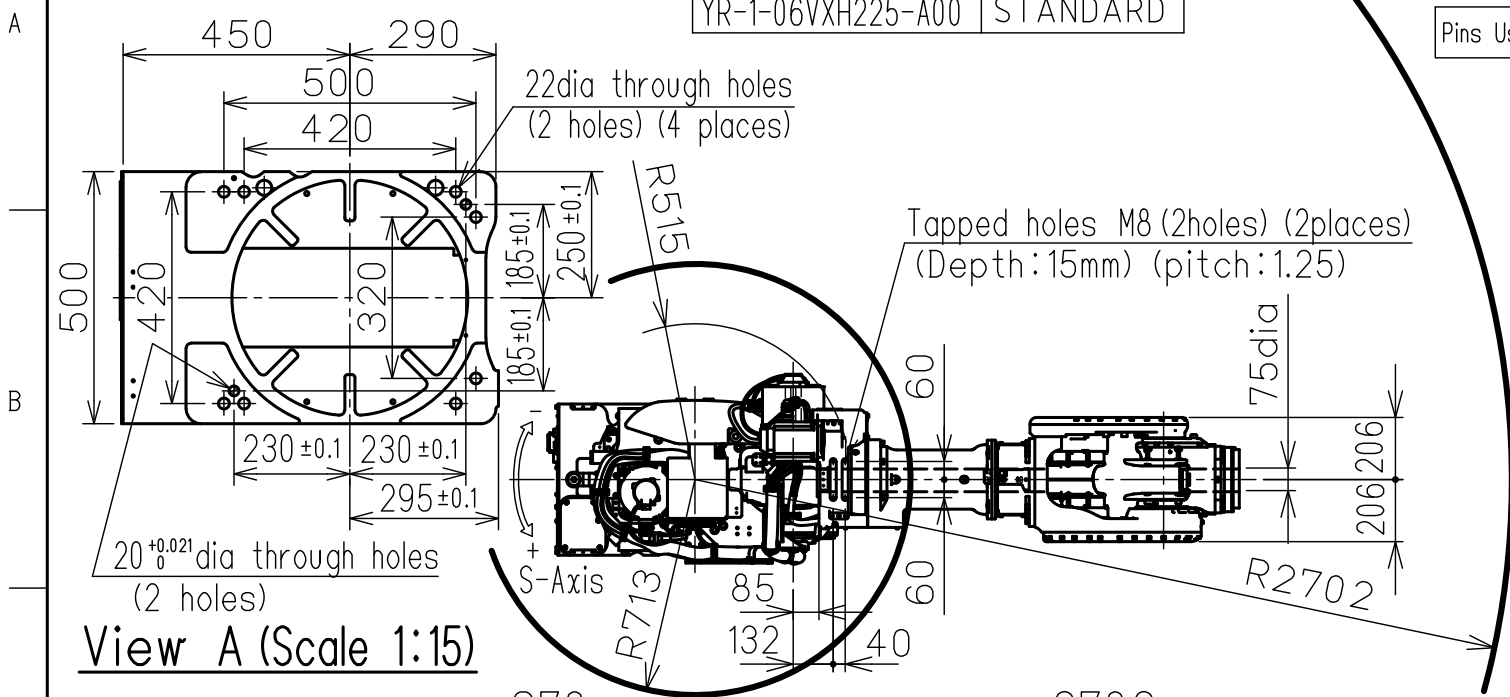
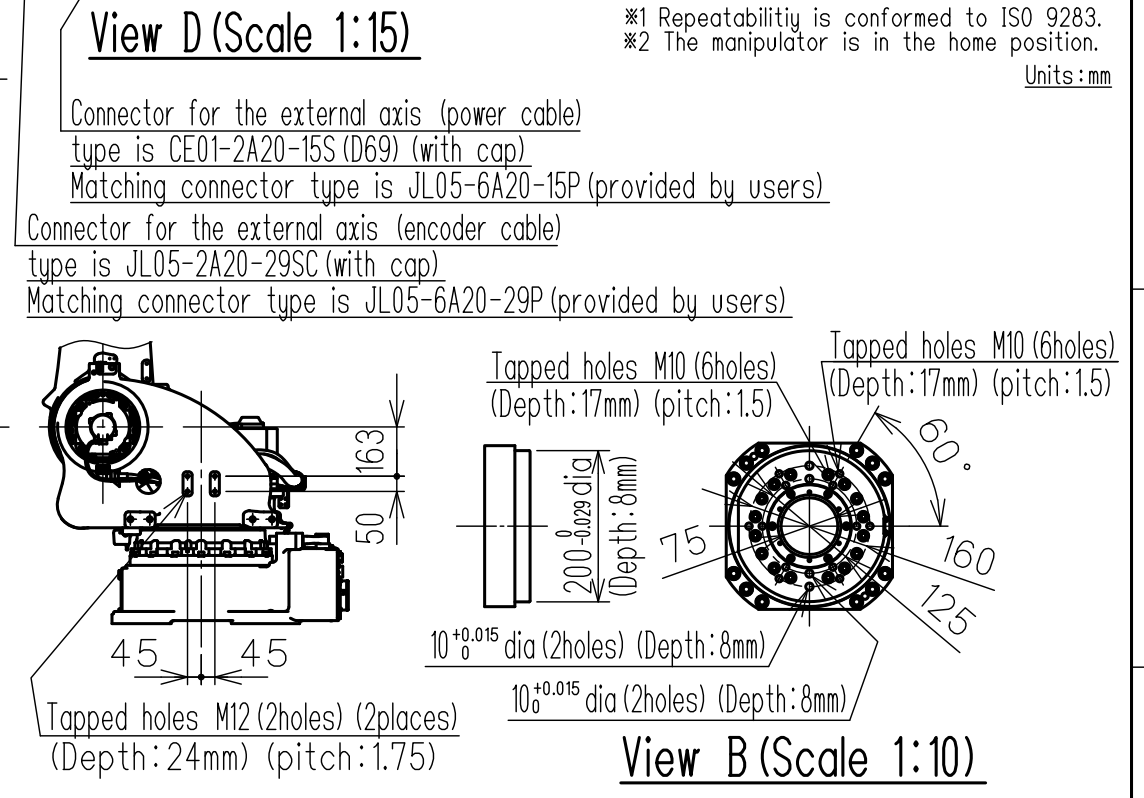
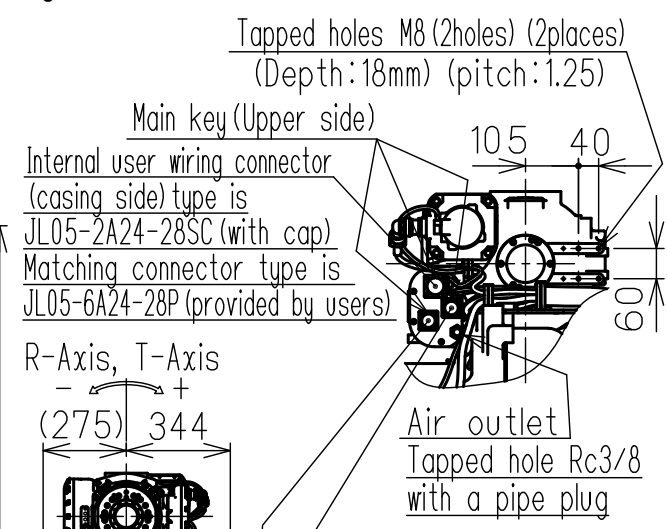
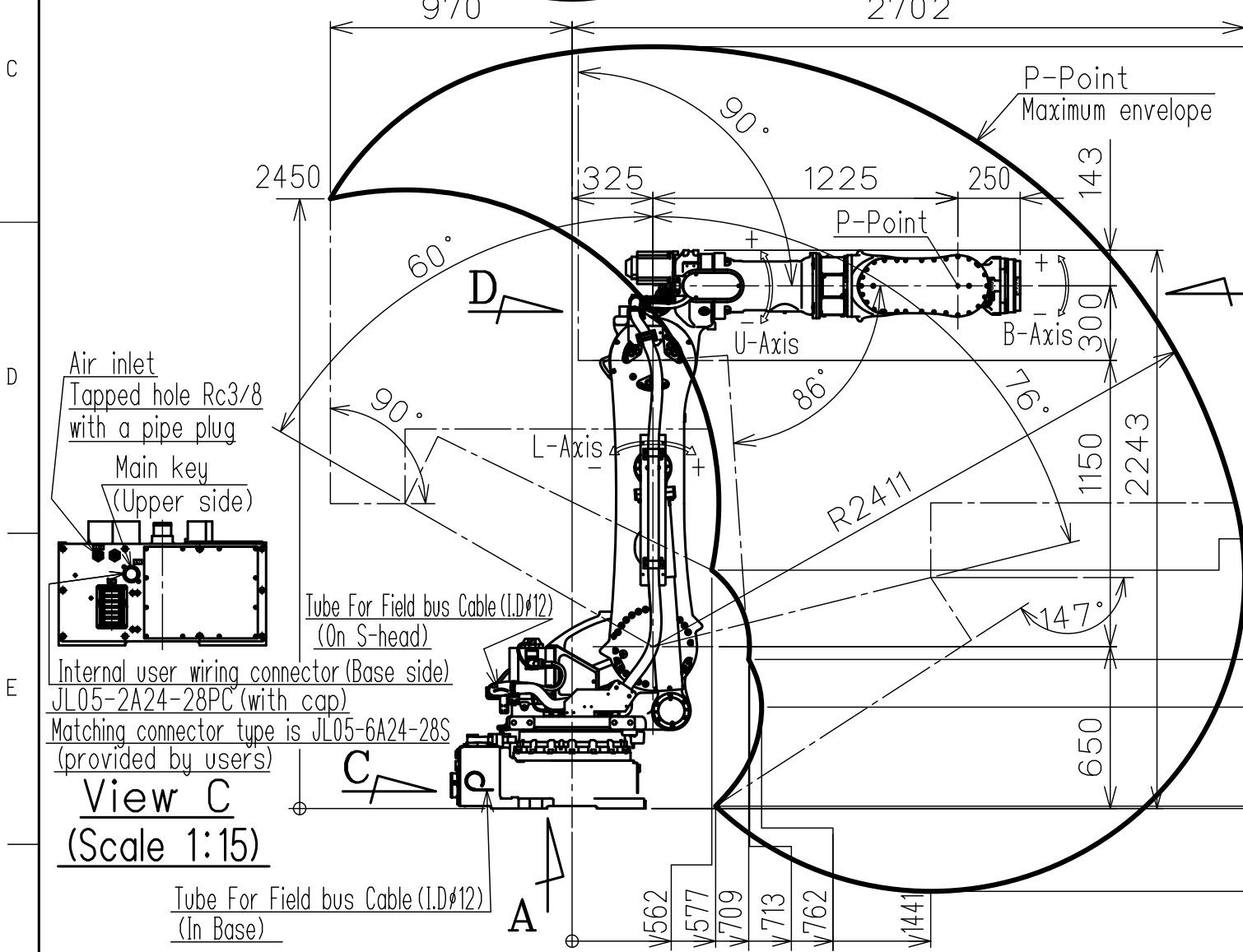


DWG.NO. HW1385917

| Type              | Note     |
|-------------------|----------|
| YR-1-06VXH225-A00 | STANDARD |

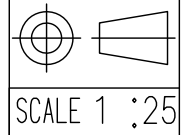


| Item                                   | Model              | MOTOMAN-SP225H   |
|--|--------------------|--|
| Configuration                          |                    | Vertically articulated   |
| Degree of Freedom                      |                    | 6  |
| Payload                                | Wrist              | 225kg  |
|  | On U-arm           | 30kg   |
| Repeatability (※1)                     |                    | ±0.2 mm  |
| Range of Motion                        | S-Axis (Turning)   | -180° - +180°  |
|  | L-Axis (Lower Arm) | -60° - +76°  |
|  | U-Axis (Upper Arm) | -86° - +90°  |
|  | R-Axis (Roll)      | -210° - +210°  |
|  | B-Axis (Pitch/Yaw) | -130° - +130°  |
| Max Speed                              | T-Axis (Twist)     | -360° - +360°  |
|  | S-Axis             | 2.09 rad/s, 120°/s   |
|  | L-Axis             | 1.69 rad/s, 97°/s  |
|  | U-Axis             | 2.01 rad/s, 115°/s   |
|  | R-Axis             | 2.62 rad/s, 150°/s   |
| Allowable Moment                       | B-Axis             | 2.62 rad/s, 150°/s   |
|  | T-Axis             | 4.01 rad/s, 230°/s   |
|  | R-Axis             | 1372 N·m (140kgf·m)  |
| Allowable Inertia (GD <sup>2</sup> /4) | B-Axis             | 1372 N·m (140kgf·m)  |
|  | T-Axis             | 735 N·m (75kgf·m)  |
|  | R-Axis             | 209.8kg·m <sup>2</sup>   |
| Approx. Robot mass                     |                    | 1090kg   |
| Protected structure                    |                    | Body: IP54 Wrist: IP65   |
| Mounting method                        |                    | Floor-mounted  |
| Ambient Conditions                     | Temperature        | 0 to +45°C   |
|  | Humidity           | 20 to 80%RH (Non-condensing)   |
|  | Vibration          | 4.9m/s <sup>2</sup> (0.5G) or less   |
|  | Altitude           | 1000m or less  |
| Others                                 |                    | •Free from explosive or corrosive gas and liquid.<br>•Free from dust, soot, oil, or water.<br>•Free from electrical noise.<br>•Free from strong magnetic fields. |
|  | Power Requirements |  |
| Controller                             |                    | YRC1000  |



Note:  
 1. All rights reserved.  
 2. Please note that the data is subject to be deleted without advance notice.  
 3. No warranty is given in relation to the data including the specification.  
 4. We are not responsible for any damages or loss caused by the use of the data.

FOR STUDY PURPOSE ONLY



**YASKAWA**  
 株式会社安川電機

Reference Drawing

TITLE MOTOMAN-SP225H  
 DIMENSION DIAGRAM

DRWN DATE Feb.19.'18  
 DWG.NO. HW1385917

SIZE A3